

43LED/520 & 43LED/521

4 KANAL EMPFÄNGER FÜR RGBW CONTROLLER WIRELESS
Gleichspannungsbetrieb



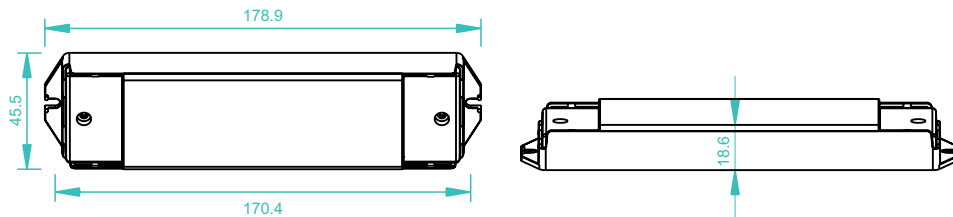
Feature

- Work with different sender
- Work with WIFI transmitter
- Control RGBW, RGB, CC-CW, Single color LED lighting.

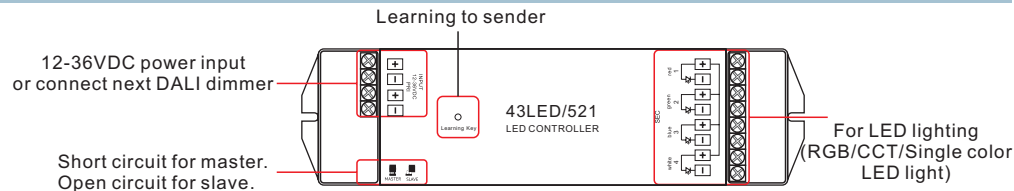
Parameter

Part No.	Input Voltage	Output Current	Output Power	Remarks
43LED/520	12-36VDC	4x8A	4x(96-288)W	Constant voltage
43LED/521	12-36VDC	4x350mA	4x(4.2-12.6)W	Constant current

Product Size

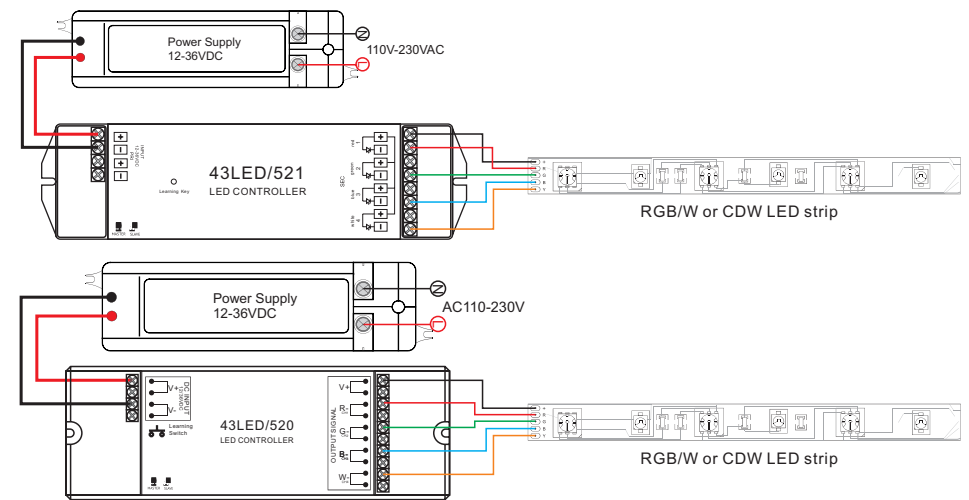


Brief introduction of buttons



Bedienungsanleitungen und Schaltprogramme finden Sie unter www.leuchtwurm.at mittels Suche der jeweiligen Artikelnummer.

Wiring diagram



Operation

Learning (matching)

- Do wiring according to connection diagram
- Wake up the remote control by touching ON/OFF button.
- Press learning button on receiver.
- Touch any zone button on remote control.
- Then touch color wheel.
- Connected LED light will blink to confirm zone designation.
- Press at learning button on receiver over 5 seconds until LED light flash, then delete the learned ID.

Note 1: To choose a master from slaves by jumper for each zone.

Short circuit for master.

Open circuit for slave.

Each zone only can set one master controller. After a period of time, the master will do synchronization operation to keep the same color or mode of all slaves in one zone.

Note 2: Each remote control 8 zones (areas) receivers, each area can be learned as many receivers as we can.

Each receiver maximally can be controlled by 8 different remote controllers.

Safety & Warnings

- 1) The product shall be installed and serviced by a qualified person.
- 2) IP20. Please avoid the sun and rain. When installed outdoors, please ensure it is mounted in a water proof enclosure.
- 3) Always be sure to mount this unit in an area with proper ventilation to avoid overheating.
- 4) Please check if the output voltage of any LED power supplies used comply with the working voltage of the product.
- 5) Never connect any cables while power is on and always assure correct connections to avoid short circuits before switching on.
- 6) Please ensure that the cable is secured tightly in the connector
- 7) For update information please consult your supplier.

Bedienungsanleitungen und Schaltprogramme finden Sie unter www.leuchtwurm.at mittels Suche der jeweiligen Artikelnummer.

Warranty Agreement

1) We provide lifelong technical assistance with this product:

- 3-year warranty. We print date on every products, for example :1125 means year 2011, week 25. The warranty is for free repair or replacement and covers manufacturing faults only.

- For faults beyond the 3-year warranty we reserve the right to charge for time and parts.

2) Limited Warranty

- Any defects caused by wrong operation.

- Any damages caused by unauthorized removal, maintenance, modifying, incorrect connection and replacement of chips.

- Any damages due to transportation, vibration etc. after purchase.

- Any damages caused by earthquake, fire, lightning, pollution and abnormal voltage.

- Any damages caused by negligence, inappropriate storing at high temperatures and humidity or near harmful chemicals.

- Product has been updated

3) Repair or replacement as provided under this warranty is the exclusive remedy to the customer.

Einlernen:

1. Controller (43LED/....) einschalten
2. Einlerntaste am Empfänger (43LED/520) kurz betätigen
3. Beliebige Taste am Controller betätigen
4. Farbmischfeld betätigen
(bei erfolgreichem Einlernen reagiert das angeschlossene RGB-/RGBSWW-Band)

Sind mehrere Empfänger in Verwendung, dann wie folgt vorgehen:

1. Master-Empfänger vorbereiten
(Jumper am Empfänger auf "Master" setzen)
2. Slave Empfänger vorbereiten
(Jumper auf Stellung "Slave" setzen, gilt auch für weitere Empfänger, falls benötigt)
3. Master Empfänger einlernen
 - Controller einschalten
 - Einlerntaste am Empfänger kurz betätigen
 - beliebige Taste am Controller betätigen
 - Farbmischfeld betätigen
4. Slave Empfänger einlernen
 - Punkt 3 für jeden Slave wiederholen